



SELF-REGULATING LOCK
WITH HANDLE
FOR SLIDING DOORS

T-LOCK-Pro



T-LOCK-Pro

SELF-REGULATING LOCK with handle for sliding glass doors



Inside view



External view-no key



External view-with key

INNOVATIVE AND PATENTED SYSTEM

Unlike traditional locks, it prevents from being blocked inside the room.

QUICK-RELEASE OPENING SYSTEM

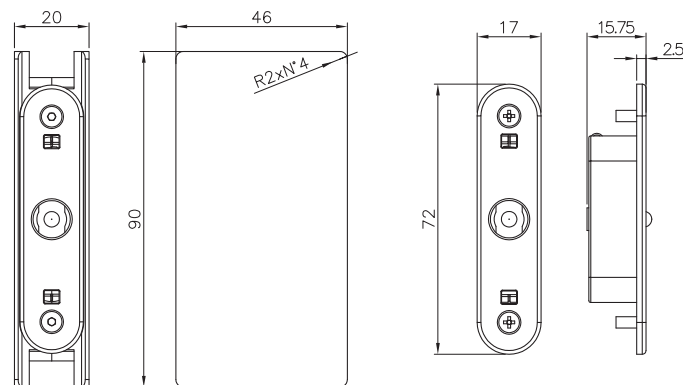
The closure is automatically released through a slight micro-movement.

HIGLY INNOVATIVE AND ESSENTIAL DESIGN

- Completely retractable handle and self-regulating magnetic strike
- Conceived to have a single version for right and left
- Key and no-key option
- Dragging closing trigger pulled outwards with a simple touch
- Unlocking possibility from the outside

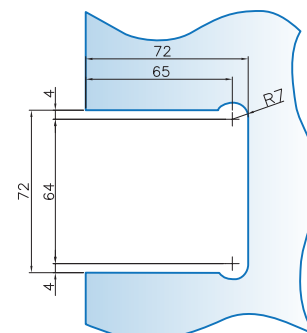
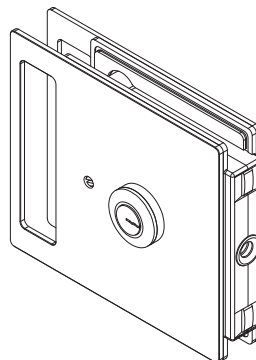
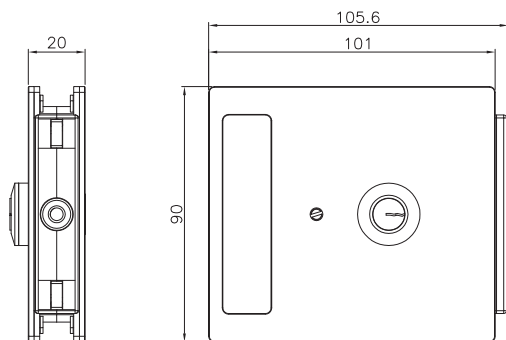
MADE IN AISI 304

Easy to clean thanks to its basic shape



- Glass strike
- External glass strike
(available from september 2018)

- Wall strike
- External wall strike
(available from september 2018)



Lock glass notch

COD.	DESCRIZIONE ARTICOLO
E07N21810	Sliding door lock "T-Lock Pro" with cylinder - satin stainless steel
E07N21812	Sliding door lock "T-Lock Pro" with cylinder - polished stainless steel
E07N21816	Sliding door lock "T-Lock Pro" with cylinder - opaque chrome stainless steel
E07N22810	Sliding door lock "T-Lock Pro" with cylinder "KA" - satin stainless steel
E07N22812	Sliding door lock "T-Lock Pro" with cylinder "KA" - polished stainless steel
E07N22816	Sliding door lock "T-Lock Pro" with cylinder "KA" - opaque chrome stainless steel
E07N23810	Sliding door lock "T-Lock Pro" without cylinder - satin stainless steel
E07N23812	Sliding door lock "T-Lock Pro" without cylinder - polished stainless steel
E07N23816	Sliding door lock "T-Lock Pro" without cylinder - opaque chrome stainless steel