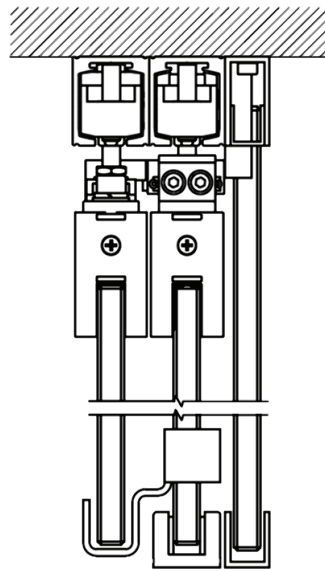
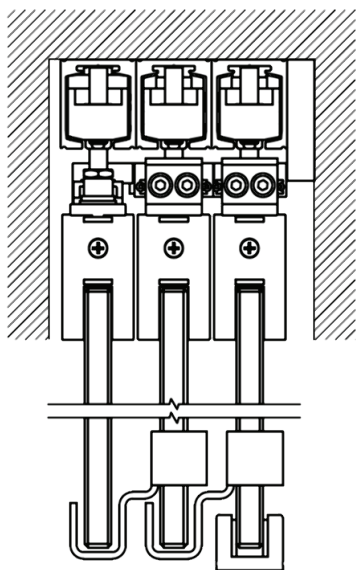


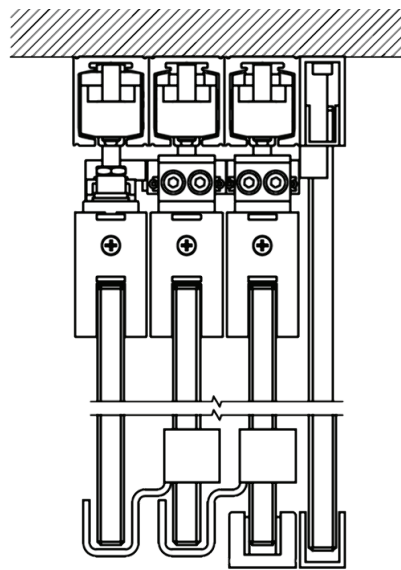
GPT2-2000/3000/4000 (2 Leaf)



GPT2+1-2000/3000/4000/6000 (2 Leaf with Fixed Panel)



GPT3-2000/3000/4000/6000 (3 Leaf)



GPT3+1-2000/3000/4000/6000 (3 Leaf with Fixed Panel)

DETAILS

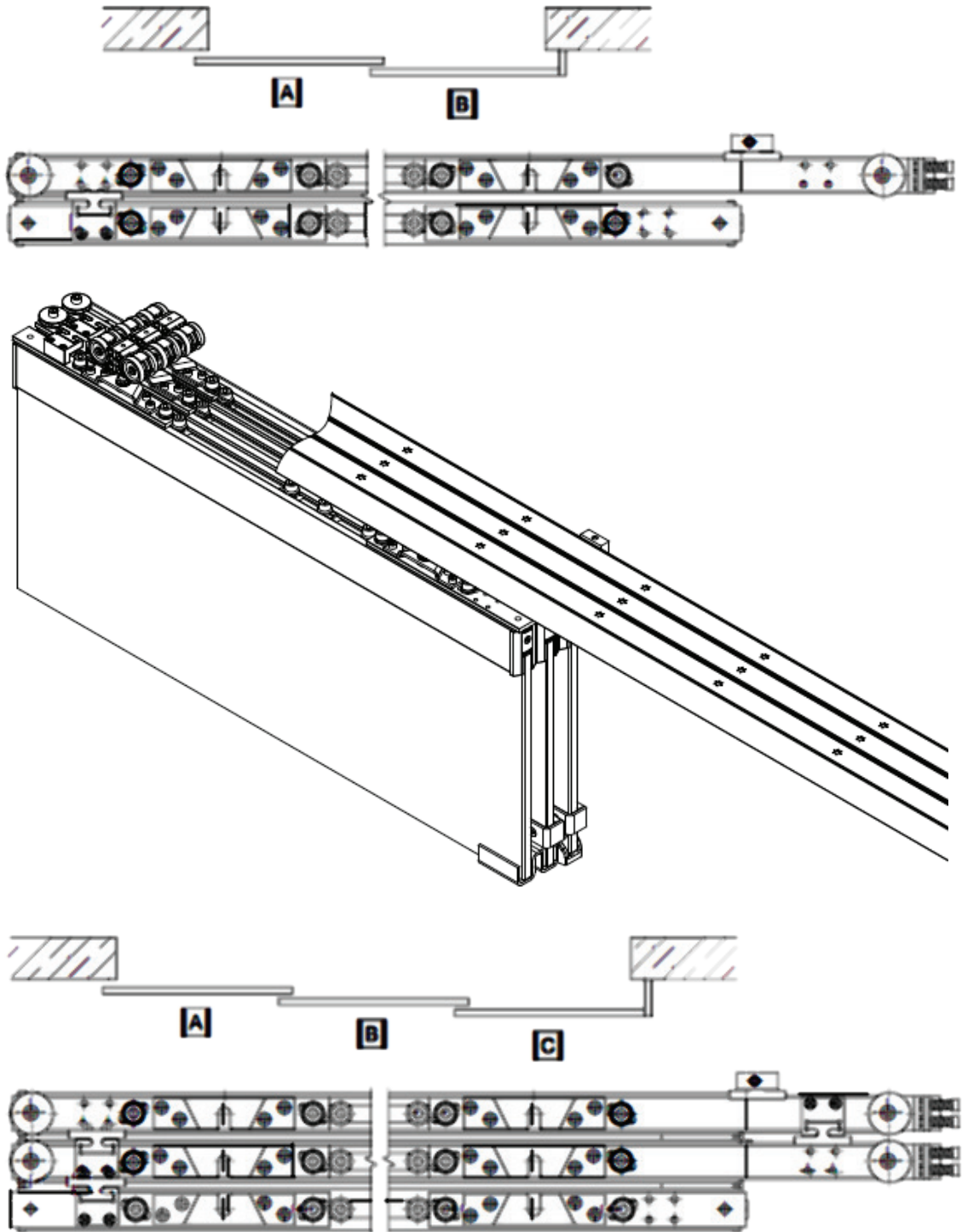
Maneze Telescopic

- 140kg weight capacity
- Suitable for 10/12mm toughened glass

FINISHES

- Natural Anodised
- Satin Stainless Anodised

Base material:
Aluminium



DETAILS

Maneze Telescopic

- 140kg weight capacity for 10/12mm toughened glass
- Email manufactured@mfgs.com.au for custom length kits

FINISHES

- Natural Anodised
- Satin Stainless Anodised

Base material:
Aluminium